

30RA-RH 05-33 / 30RB-RQ 17-33 WATER PUMPS STATUS

What's new ?

This bulletin presents a clear status on water pump modifications and replacements for 30RA-RH / 30RB- RQ following ERP regulations (N°640/2009) and product design evolution.



INFORMATION

ERP regulations combined with product range evolution lead to unit modifications and parts replacements.

The tables below present a mapping of pumps and units according to periods. They show mounted part numbers and replacement part numbers with adaptation details if needed.

The design of some pumps has been modified but their part numbers remain the same.

PUMPS MAPPING & REPLACEMENTS

■ 30RA 005 to 033

UNIT	PRODUCTION DATE UP TO END MAY 2005 (BEFORE S/N 06AQI31767)		PRODUCTION DATE STARTING BEGINNING JUNE 2005 (FROM S/N 06AQI31767 – B SERIES)	
	Factory mounted	For replacement	Factory mounted	For replacement
30RA005	0390105H12	Same part number	0390105H16	Same part number
30RA007	0390105H12		0390105H16	
30RA009	0390105H14		0390105H17	
30RA011	0390105H15		0390105H18	
30RA013	0390105H15		0390105H18	
30RA015	B033863H01		B033863H01	

UNIT	PRODUCTION DATE UP TO END MARCH 2004		PRODUCTION DATE STARTING BEGINNING APRIL 2004 ("B SERIES")	
	Factory mounted	For replacement	Factory mounted	For replacement
30RA017	B033309H01 (old design)	B033309H01 (New design) + 96960786 (Adaptor) + 241G4033 (Coupling)	C024525H01	Same part number
30RA021			C024525H01	
30RA026	B033310H01 (old design)	B033310H01 (New design) + 96960787 (Adaptor) + 241G4033 (Coupling)	C024526H01	C025840H01* + B037418H01 (cover)
30RA033			C024526H01	

* Pump longer than the original one. A hole must be perforated on the rear panel.

Note: The water pumps starting with B0 and C0 are not supplied by the same supplier and they're not installed in the same position

■ 30RH 005 to 033

UNIT	PRODUCTION DATE UP TO END MAY 2005 (BEFORE S/N 06AQI31767)		PRODUCTION DATE STARTING BEGINNING JUNE 2005 (FROM S/N 06AQI31767 – B SERIES)	
	Factory mounted	For replacement	Factory mounted	For replacement
30RH005	0390105H12	Same part number	0390105H16	Same part number
30RH007	0390105H14		0390105H17	
30RH009	0390105H14		0390105H17	
30RH011	0390105H15		0390105H18	
30RH013	0390105H15		0390105H18	
30RH015	N/A		N/A	

UNIT	PRODUCTION DATE UP TO END MARCH 2004		PRODUCTION DATE STARTING BEGINNING APRIL 2004 ("B SERIES")	
	Factory mounted	For replacement	Factory mounted	For replacement
30RH017	B033309H01 (Old design)	B033309H01 (New design) + 96960786 (Adaptor) + 241G4033 (Coupling)	C024525H01	Same part number
30RH021			C024525H01	
30RH026	B033310H01 (Old design)	B033310H01 (New design) + 96960787 (Adaptor) + 241G4033 (Coupling)	C024526H01	C025840H01* + B037418H01 (cover)
30RH033			C024526H01	

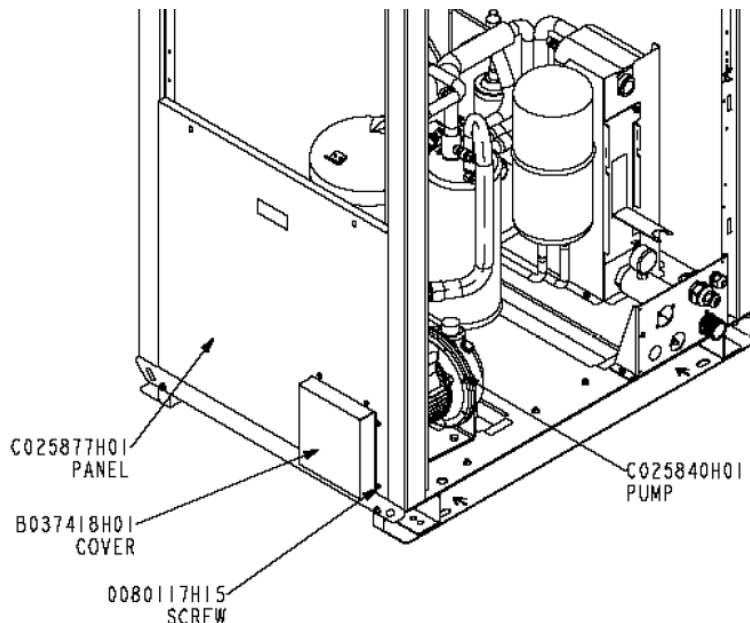
* Pump longer than the original one. A hole must be perforated on the rear panel.

Note: The water pumps starting with B0 and C0 are not supplied by the same supplier and they are not installed in the same position

■ 30RB/RQ 017 to 033

UNIT	PRODUCTION DATE UP TO THE 10 th OF NOVEMBER 2012 (BEFORE S/N 02AYI03672)		PRODUCTION DATE STARTING FROM THE 11 th OF NOVEMBER 2012 (FROM S/N 02AYI03672)	
	Factory mounted	For replacement	Factory mounted	For replacement
30RB/RQ 017	C024525H01	Same part number	C024525H01	Same part number
30RB/RQ 021	C024525H01		C024525H01	
30RB/RQ 026	C024526H01	C025840H01* + B037418H01 (cover) + C025877H01 (side panel) + 0080117H15- (x6) (screw)	C025840H01	Same part number
30RB/RQ 033	C024526H01		C025840H01	

* Pump longer than the original one. A hole must be perforated on the rear panel.



› If you have any question or suggestion, please feel free to contact us.